

SL26RT/SL30RT

DIESEL SPEED LEVEL



- The original Speed Level sigma lift
- Climbs gradients of up to 50%
- Auto-levelling without the need for stabilizers
- Suitable for most terrains
- Powerful 4x4 drive
- Ideal for rough terrain or work at height on sloped ground

 **snorkel**[™]
www.snorkellifts.com

DIESEL SPEED LEVEL

SL26RT/SL30RT

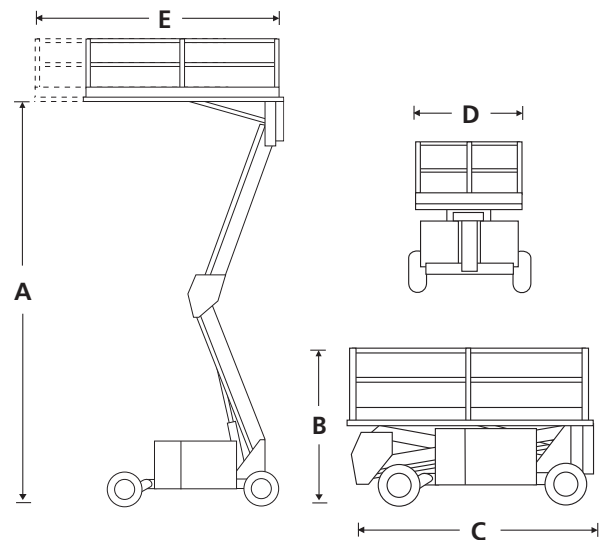
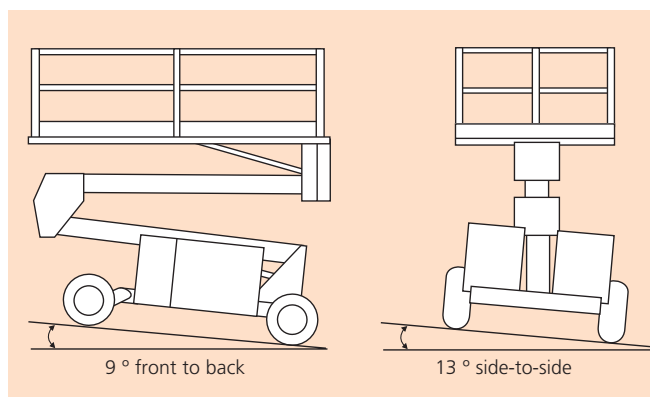
DIMENSIONS	SL26RT	SL30RT
Max. working height	31 ft 6 in	35 ft 4 in
Max. platform height (A)	25 ft 6 in	29 ft 4 in
Platform size (stowed)	5 ft 8 in x 12 ft	5 ft 8 in x 13 ft 11 in
Platform size (extended) (E)	5 ft 8 in x 15 ft	n/a
Extension deck length	3 ft	n/a
Overall width (D)	7 ft	7 ft
Overall length (C)	12 ft 5 in	14 ft 1 in
Stowed height (B)	8 ft 6 in	8 ft 6 in
Min. height (guardrails folded)	65 in	65 in
Chassis ground clearance	12 in	12 in
Axle ground clearance	7.6 in	7.6 in

PERFORMANCE	SL26RT	SL30RT
Platform capacity (SWL)	1,500 lbs	1,300 lbs
Max. wind speed	28 mph	28 mph
Max. drive height	25 ft 6 in	29 ft 4 in
Max. drive speed (stowed)	4.0 mph	4.0 mph
Max. drive speed (elevated)	0.5 mph	0.5 mph
Raise/lower time	21/32 sec	24/36 sec
Gradeability	50%	50%
Max. levelling, front to rear	9°	9°
Max. levelling, side to side	13°	13°
Inside turning radius	12 ft 10 in	12 ft 10 in
Outside turning radius	18 ft 6 in	18 ft 6 in
Tires	26 x 12.00 - 12 foam filled	
Controls	proportional joystick	
Drive system	4-wheel drive with hydraulic motors and flow dividers	

POWER	SL26RT	SL30RT
Power source	Kubota D-902 water-cooled diesel engine - Tier 4 Final	

WEIGHT	SL26RT	SL30RT
Weight	7,826 lbs	7,495 lbs

LEVELING CAPABILITIES



STANDARD FEATURES

- Automatic powered platform levelling
- Powerful 4-wheel drive
- Oscillating front axle
- High grip, open tread deck (SL30RT only)
- Roll-out deck extension (SL26RT only)
- Descent alarm
- High grip, all-terrain tires
- Dual multi-disc brakes
- Proportional controls
- Flashing amber light
- Power line to platform
- Fold-down guardrails
- All motion alarm
- Hour meter & on-board diagnostics display
- Horn
- 2 year parts & labor, 5 year structural warranty
- ANSI compliant

OPTIONS

- Special paint colors
- Hydraulic generator 110/240V 2kW
- Diesel exhaust scrubber
- Flashing amber light
- Extreme environment package
- Environmental hydraulic oil
- Tunnel package (RT)
- Non-marking tires
- Aluminum platform floor (SL26RT)
- Platform overload system
- Snorkel OnSite™ telematics

snorkel www.snorkellifts.com

P.O. Box 1160
 St. Joseph, MO 64502-1160, USA
 Tel: 1 (785) 989-3000
 Toll-free: 1 (800) 255-0317
 Fax: 1 (785) 989-3070
 Email: sales.usa@snorkellifts.com